

Yeastar S300 VoIP PBX

Installation Guide



Content

Content	2
Welcome	3
Before You Start	4
Package Contents.....	4
Expansion Board.....	4
Yeastar S300 Overview.....	5
LED Indicators and Ports.....	6
Installation	8
Safety Disclaimers and Installation Warnings.....	8
Telephony Module Installation.....	8
DSP Module Installation.....	11
Hard Disk Installation.....	12
Desktop Installation.....	13
Rack Installation.....	13
Ground Connection.....	14
Connecting the Equipment	15
Getting Started with the Configuration	16

Welcome

Thank you for choosing Yeastar S300 IP PBX. S300 delivers enterprise-class IP telephony services with a base configuration that supports 300 users. Expandable to 500 users, S300 grows with you business and supports up to 24 analog ports, up to 24 BRI ports, up to 3 E1/T1/PRI ports, and up to 6 GSM channels.

This guide describes how to install the S300 and how to log in the web GUI to configure the system. Once you complete the installation, refer to the *Yeastar S-Series Administrator Guide* for instructions on how to perform configurations on the system.

Related Documents

This Installation Guide only explains the installation of Yeastar S300 IPPBX. For more functionality and advanced settings, please refer to the relative documents as below:

Document	Description
Yeastar S-Series Datasheet	Datasheet for the Yeastar S-Series IPPBX.
Yeastar S-Series Administrator Guide	The administrator could refer to this manual for instructions on how to configure, operate, monitor, and maintain the Yeastar S300 IPPBX.
Yeastar S-Series Extension User Guide	Users could refer to the guide for instructions on how to login the user portal, and how to configure their accounts, listen to call recordings, check voicemail messages, etc.

Before You Start

Before you begin to install the S300 IP Phone System, please check the package contents to verify that you have received the items below. If there is any problem, please contact your provider.

Package Contents

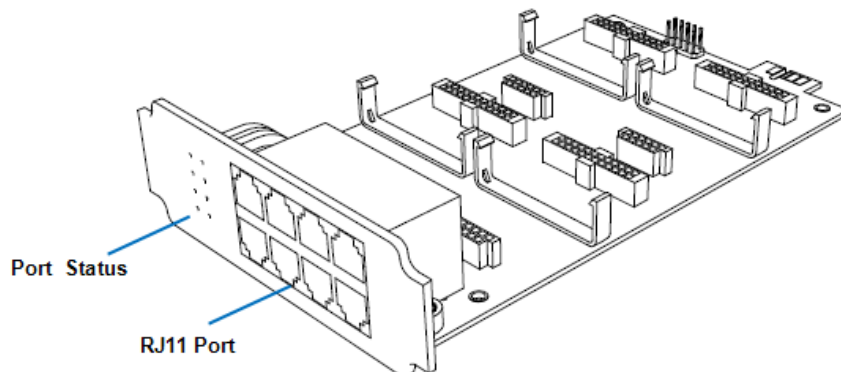
1* S300 PBX	1* Ethernet Cable	1* Power Cord
2 Rack Mounting Kits	1* Grounding Stud & Nut	4* Rubber Feet
1* Warranty card	1* Quick Start Guide	

Expansion Board

Yeastar S300 supports up to 3 Expansion boards and 2 DSP modules.

Expansion Board – EX08

EX08 board supports up to 4 modules (8 ports).

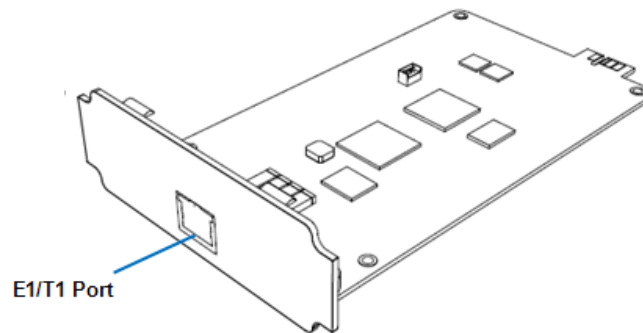


Optional Module

- O2 Module
- S2 Module
- SO Module
- B2 Module
- GSM Module
- 3G Module
- CDMA Module

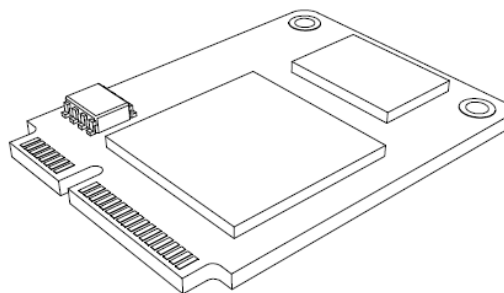
Expansion Board – EX30

EX30 board supports 1 E1/T1 port.



D30 Module

D30 is a DSP module, used to expand the capacity of PBX. With per D30 module added, the extensions increase 100 and concurrent calls increase 30 in additional.

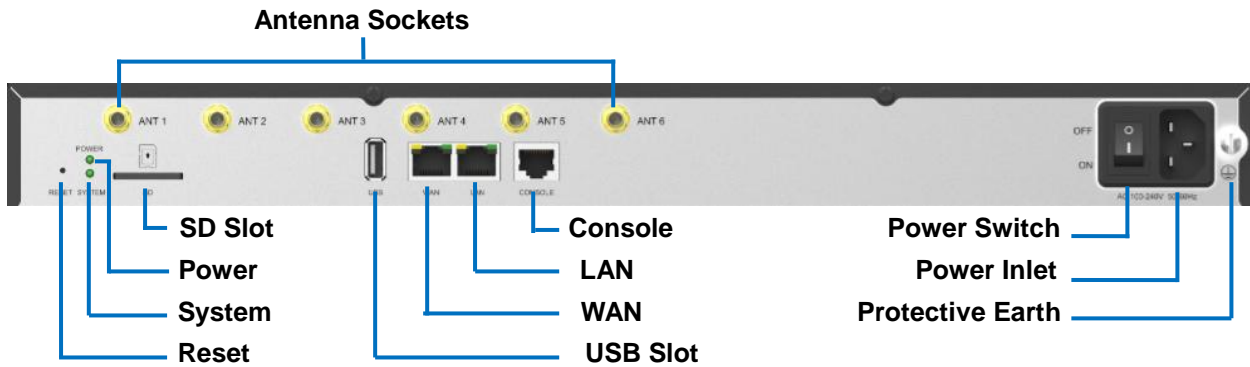


Yeastar S300 Overview

Front Panel (2*EX08 + 1*EX30)



Back Panel



LED Indicators and Ports

LED Indicators

LED	Indication	Status	Description
POWER	Power status	On	The power is switched on
		Off	The power is switched off
System	System status	Blinking	The system is running properly
		Static/Off	The system goes wrong
WAN	WAN status	Static Green light	Linked normally, 10/100 Mbps.
		Static Orange light	Linked normally, 1000 Mbps.
		Blinking Orange light	In communication.
		Off	Off-line.
LAN	LAN status	Static Green light	Linked normally, 10/100 Mbps.
		Static Orange light	Linked normally, 1000 Mbps.
		Blinking Orange light	In communication.
		Off	Off-line.
Port Status	FXS	Green light	<ul style="list-style-type: none"> Static: the port is idle. Blinking: there is an ongoing call on the port.
	GSM/CDMA/3G	Red light	<ul style="list-style-type: none"> Static: the trunk is idle. Blinking slowly: there is no SIM card inserted. Blinking rapidly: the trunk is in use.
	BRI	Orange light	<ul style="list-style-type: none"> Blinking slowly: the BRI line is disconnected. Static: the BRI line is connected or in use.

	FXO	Red light	<ul style="list-style-type: none"> • Blinking slowly: no PSTN line is connected to the port. • Static: the PSTN line is idle. • Blinking rapidly: the PSTN line is busy.
--	-----	-----------	---

Port Description

Ports	Description
RJ11 Port	<p>FXO port (red light): for the connection of PSTN lines or FXS ports of traditional PBX.</p> <p>FXS port (green light): for the connection of analog phones.</p> <p>BRI port (orange light): for the connection of ISDN BRI lines.</p> <p>Note: the sequence number of the ports corresponds to that of the Indicator lights in the front panel. (I.e. the LED lights in the front indicate the connection status of the corresponding ports at the front panel.)</p>
E1/T1 Port	Connect the E1/T1 line.
ANT	Rotate the antenna into the Antenna Socket.
USB Slot	Connect a USB drive or mobile hard disk drive.
SD Slot	Insert a SD card.
Ethernet Port	<p>Yeastar S300 provides two 10/100/1000 Mbps adaptive RJ45 Ethernet ports. There are 2 Ethernet modes for the system. The default mode is "Bridge".</p> <ul style="list-style-type: none"> • Bridge: LAN port interface will be used for uplink connection. WAN port interface will be used as bridge for PC connection. • Dual: both ports can be used for uplink connection.
Reset Button	Press and hold for 10 seconds to restore the factory defaults.
Power Inlet	Connect the supplied power supply to the port.
Power Switch	Switch on or off the device.

Installation

This chapter explains how to install Yeastar S300 IP phone system.

Safety Disclaimers and Installation Warnings

To avoid unexpected accident, personal injury or device damage, please read the safety disclaimers and installation warnings.

Power

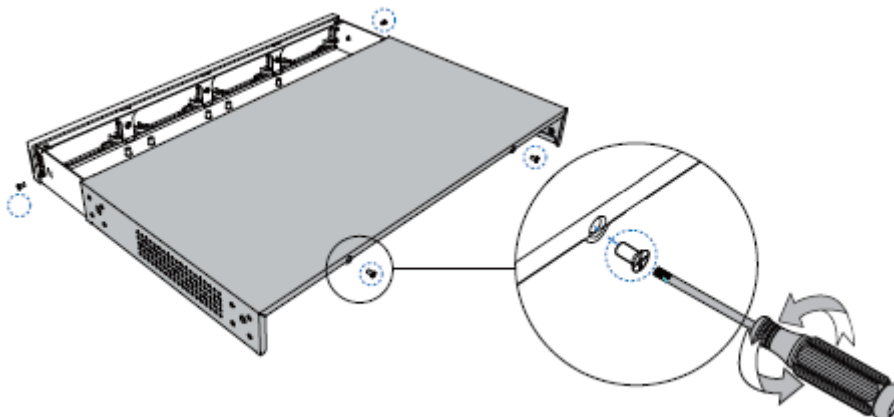
- Use only the power cord provided with the IP PBX.
- Keep the power off during the installation.
- Make sure that the supply voltage matches the specifications indicated on the back panel of the device.
- To avoid the electric accident, do not open or remove the cover of IP PBX when it is working as well as off the power.
- Before cleaning the device, cut off the power supply.

Environment

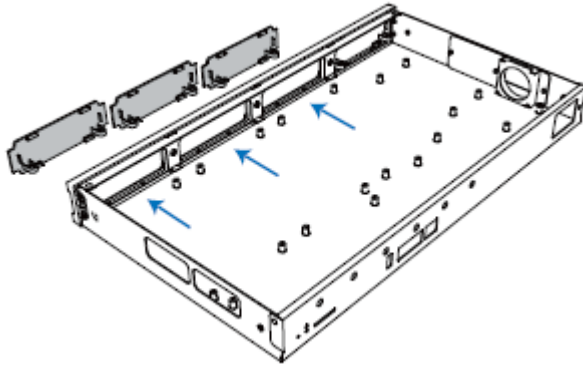
Install the Yeastar S300 IP PBX in a location that is clean, free from vibration, electric shock, and temperature/humidity extremes. The operating temperature should be kept below 104°F (40°C).

Telephony Module Installation

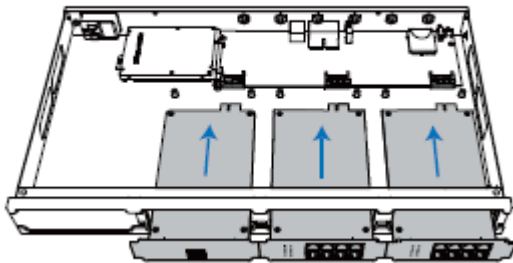
STEP 1 Loosen the screws on the enclosure and then remove the upper cover.



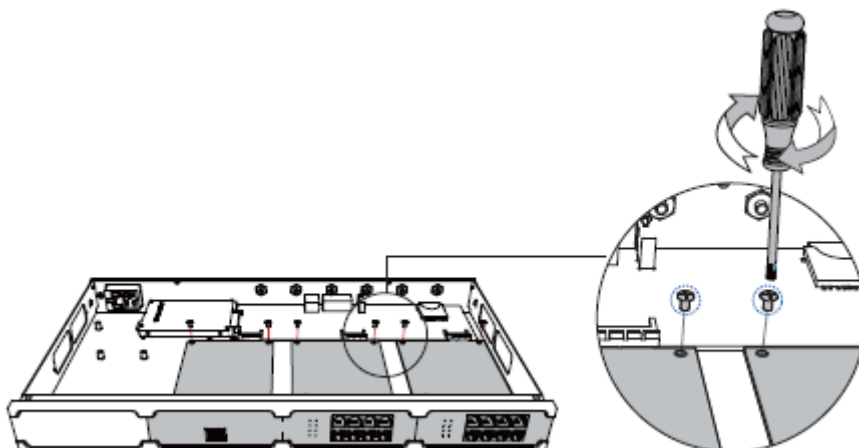
STEP 2 Push out the empty board from the inside of the device.



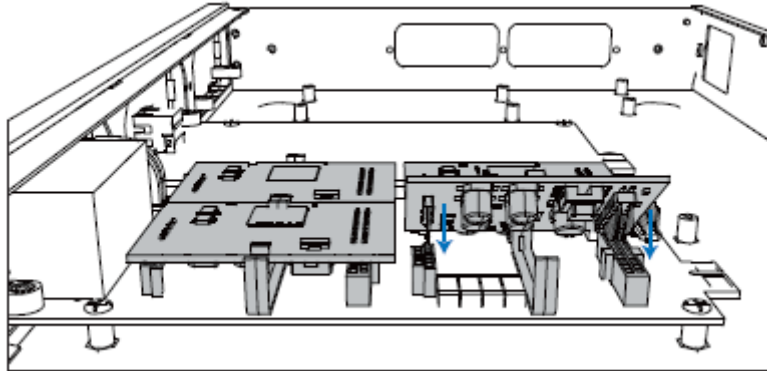
STEP 3 Push in the Expansion Board (EX08 or EX30).



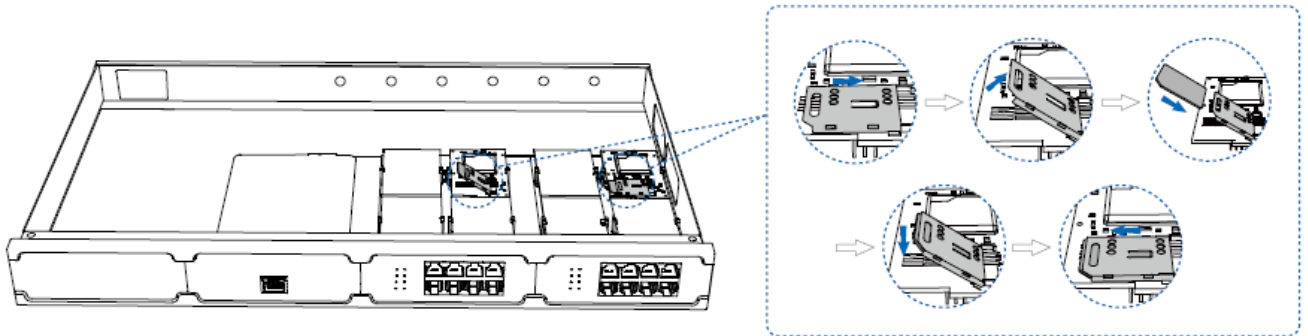
STEP 4 Lock the screws to fix the Expansion Board.



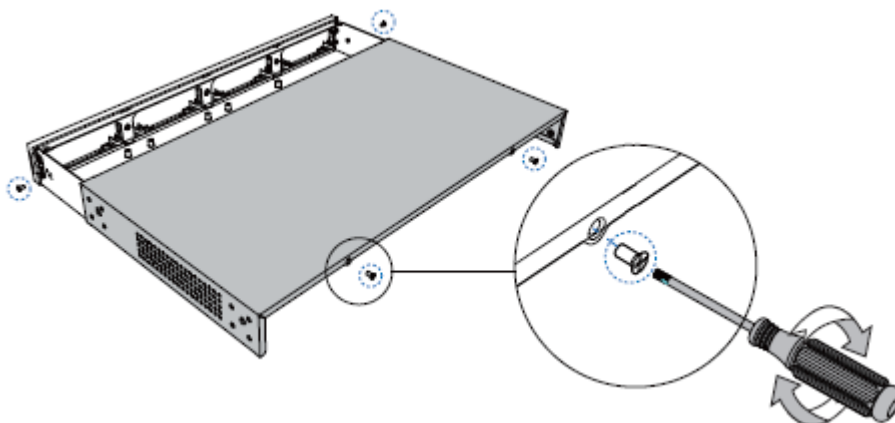
STEP 5 Insert the Telephony Modules on the EX08 Board. Skip this step for EX30 Board.



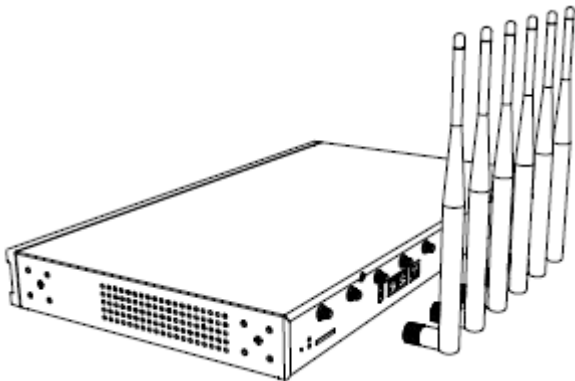
STEP 6 Insert a SIM card on the GSM/CDMA/3G module following the instructions. Skip this step if no GSM/CDMA/3G module installed.



STEP 7 Close the cover and fix the screws.

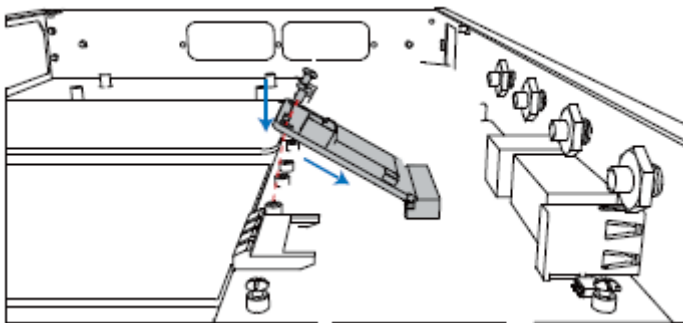


STEP 8 Rotate the antenna into the Antenna Socket. Skip this step if no GSM/CDMA/3G module installed.

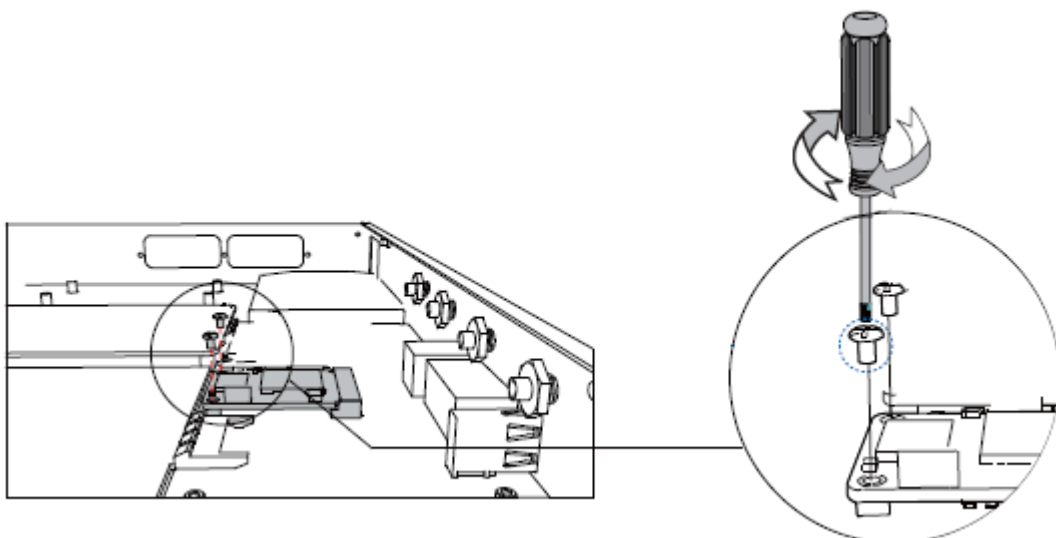


DSP Module Installation

STEP 1 Open the device upper cover and insert the DSP module (D30) into the D-Slot from a tilt angle and then press it down.

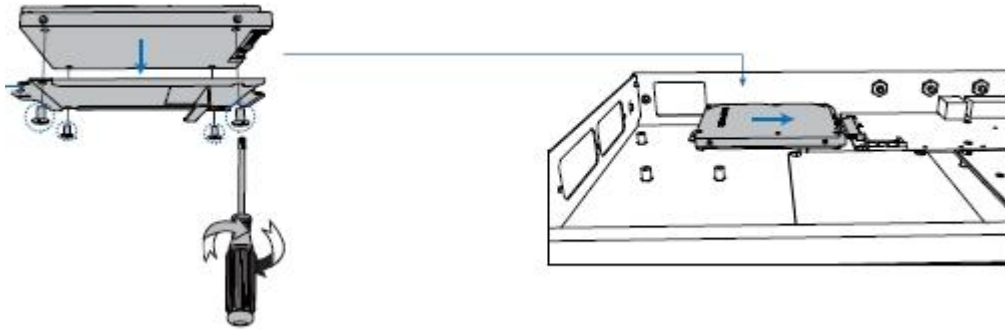


STEP 2 Lock the screws to fix the D30 module board.

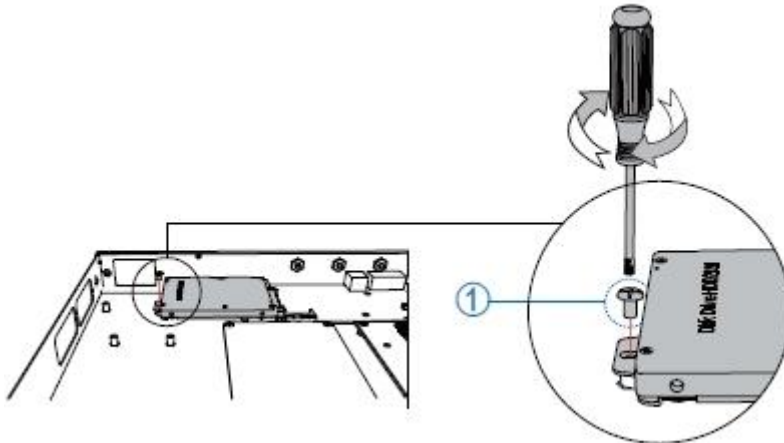


Hard Disk Installation

STEP 1 Lock the hard disk on the bracket and push the hard disk into the bracket.



STEP 2 Lock the screw to fix the hard disk.



Desktop Installation

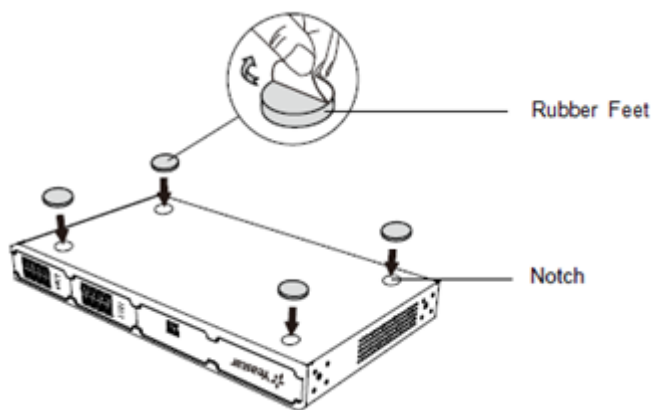
WARNING

- Please set 5~10cm gaps around the device for air circulation.
- Please avoid any heavy thing placed on the device.

STEP 1 Place the IP PBX on a steady platform.

STEP 2 Remove the adhesive backing paper from the rubber feet.

STEP 3 Turn over the device and attach the supplied rubber feet to the recessed areas on the bottom at each corner of the device.

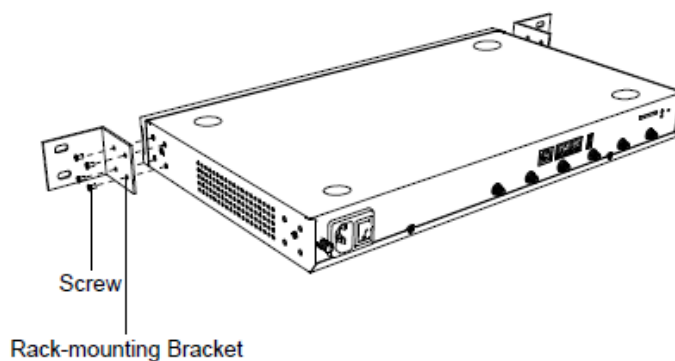


Rack Installation

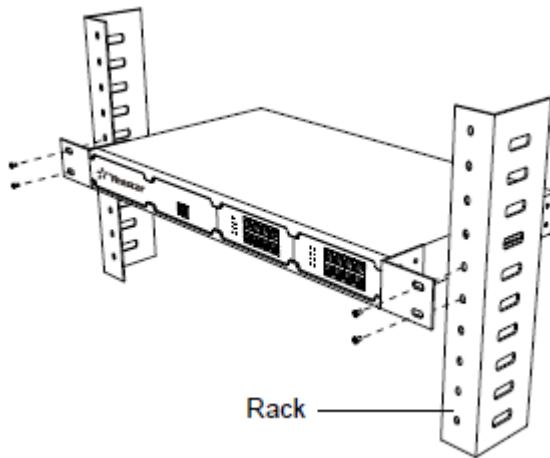
WARNING

- Be careful not to drop any components. Dropping components may damage them or cause an injury.
- Only use the 19-inch rack mounting kits (attached bracket and fittings) included with the PBX.

STEP 1 Fix the brackets to the left and right sides of the PBX with 4 screws.



STEP 2 Place the PBX in the 19-inch rack and fix both brackets to the rack with the rack's proprietary mounting equipment.



Ground Connection

WARNING

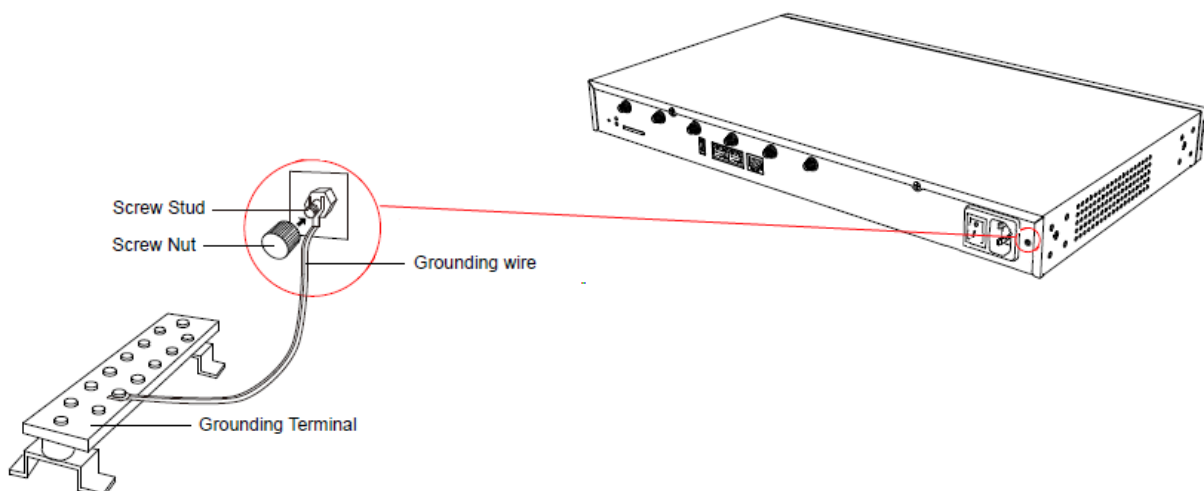
- Proper grounding (connection to ground) is very important to reduce the risk to the user of electrocution or protect the PBX from the bad effects of external noise in the case of a lightning strike.
- A permanent connection between ground and the ground terminal of the PBX must be made.

STEP 1 Tighten the provided screw stud into the Grounding port on PBX.

STEP 2 Insert an 18AWG grounding wire (user supplied).

STEP 3 Tighten the provided screw nut.

STEP 4 Attach the grounding wire to the grounding terminal.



Connecting the Equipment

STEP 1 Connect one end of a network cable to the LAN port of Yeastar device, and the other end to any port of your company's LAN switch/router.

STEP 2 Connect the telephony line to the RJ11 port of the device.

RJ11 Port	Description
FXS	Connect one end of a RJ11 phone cable to the port. Connect the other end to the analog phone or fax machine.
FXO	Connect an RJ11 cable to the FXO port. Connect the other end of the cable to a PSTN line.
BRI	Connect the cable provided by the ISDN BRI provider to the BRI port. Connect the other end of the cable to the ISDN provider equipment.

STEP 3 Connect one end of the E1 cable to the E1/T1 port. Connect the other end to the E1 Provider's equipment.

STEP 4 Plug the provided power cord into the power jack on S300 and the other end to a standard electrical wall socket. Wait for the system to boot up till the SYSTEM LED starts to blink.

NOTE

Connect BRI/PSTN/analog phone/fax machine to the corresponding port based on the color of port indicator.

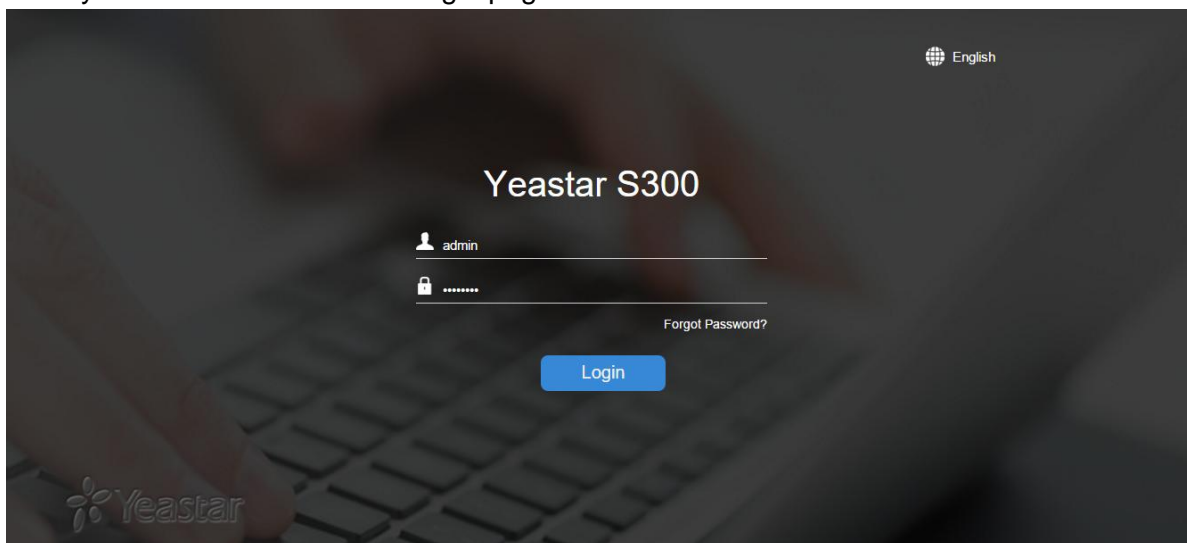
Getting Started with the Configuration

Yeastar S300 IP Phone System provides web-based configuration interface for administrator. The administrator can manage the device by logging in the Web interface.

- **Access path:** https://192.168.5.150:8088
- **User Name:** admin
- **Password:** password

STEP 1 Connect your PC to the same network as Yeastar S300.

STEP 2 Start the browser on PC. In the address bar, enter the IP address, click “Enter” key and then you can see the web GUI login page shows as below.



STEP 3 For the detailed configurations of extensions, trunks and other system settings, please refer to the manual *Yeastar S-Series Administrator Manual*.

NOTE

After saving the changes, remember to click the “Apply” button at the top-right corner to make the changes take effect.

[END]